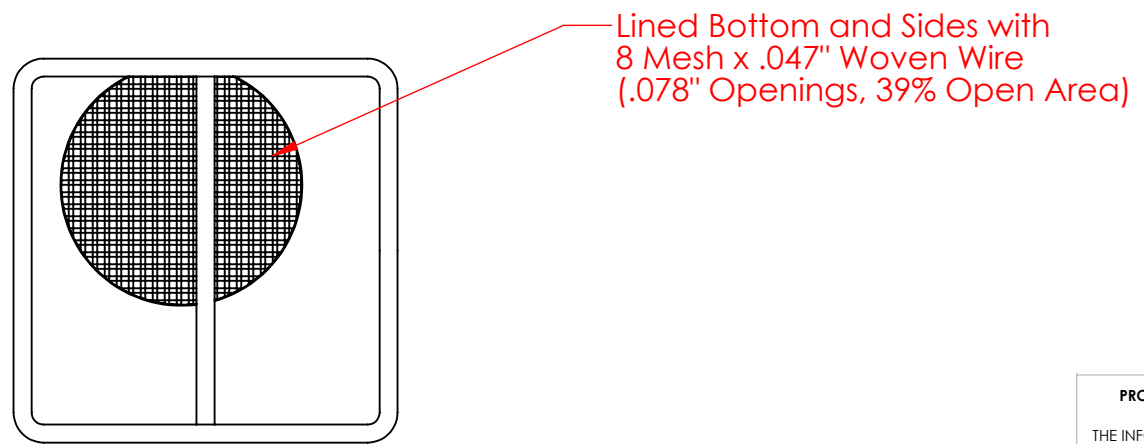
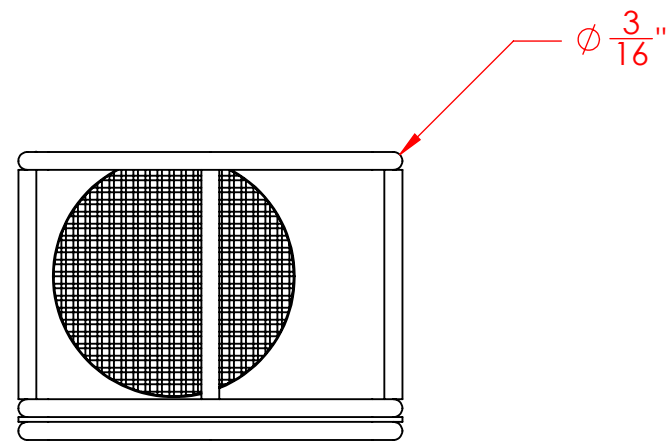
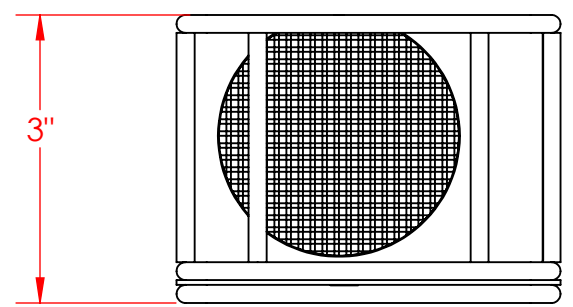
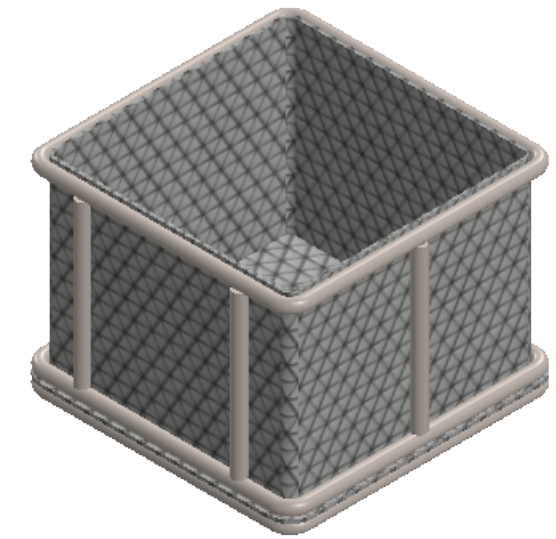
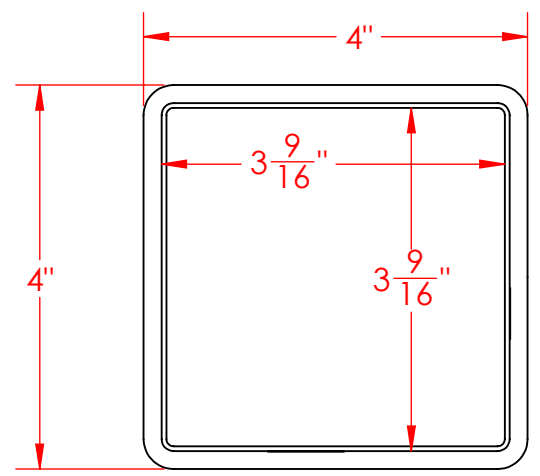


8 7 6 5 4 3 2 1

D
C
B
A



UNLESS OTHERWISE SPECIFIED:

DIMENSIONS ARE IN INCHES
TOLERANCES:
FRACTIONAL \pm 1/16"
ANGULAR: \pm 5 DEG.
TWO PLACE DECIMAL \pm 0.03
THREE PLACE DECIMAL \pm 0.015

EST WGT
1.0 lbs.

MATERIAL
304 Stainless Steel

FINISH
Natural

DO NOT SCALE DRAWING

PROPRIETARY AND CONFIDENTIAL

THE INFORMATION CONTAINED IN THIS DRAWING IS THE SOLE PROPERTY OF THREE M TOOL. ANY REPRODUCTION IN PART OR AS A WHOLE WITHOUT THE WRITTEN PERMISSION OF THREE M TOOL IS PROHIBITED.

Rectangular Wire Mesh Basket:
4Lx4Wx3H, 304 SS, 3/16 Rod Frame,
No Handles, Mesh: 8 x .047

SIZE **B** DWG. NO.
TMT-040040030-N08S

8 7 6 5 4 3 2 1